



Professional

Innovative

[www.orbitaksa.com](http://www.orbitaksa.com), [www.aldiyafainfo.com](http://www.aldiyafainfo.com)



معلومات  
Hospitality Information  
COMPANY LIMITED

### Saudi Arabia Office

#### Address

•Qurban Street, Madinah 42316  
•+966550821757  
•[info@aldiyafainfo.com](mailto:info@aldiyafainfo.com)

•OFFICES : JEDDAH, MAKKAH, MADINAH

#### ORBITA TECHNOLOGY CO.,LTD

##### Shenzhen Head Office:

ADD:Room 801-804, Building A, Zhongmin Times Square, No.12 Sungang East Road, Luohu District,Shenzhen.

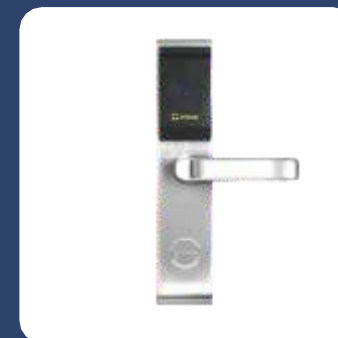
##### Huizhou Factory :

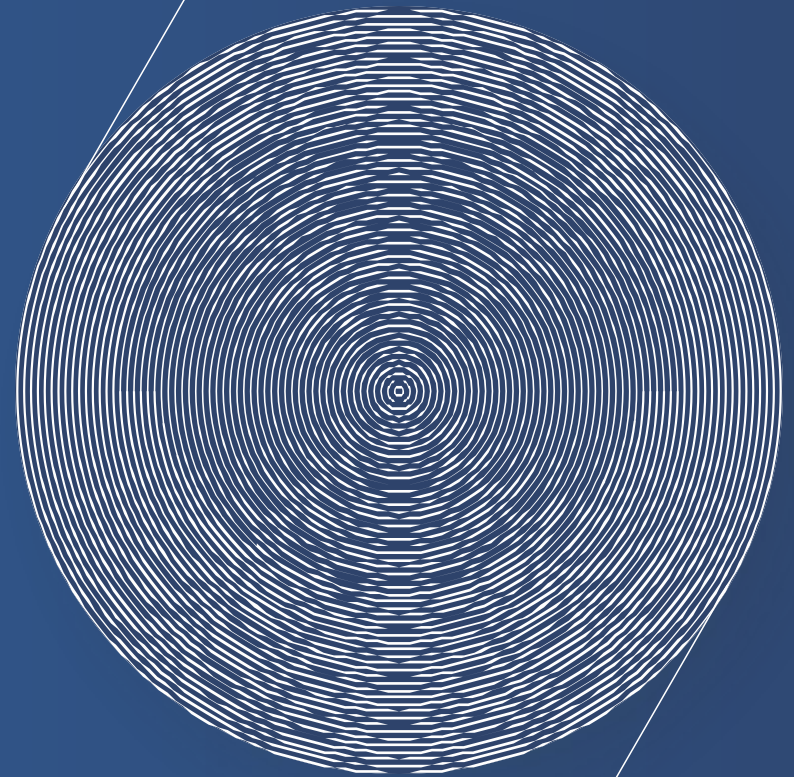
ADD:Orbita Industrial Park,Zhoukangwei, Changbu village, Xinxu Town, Huiyang Dist.Huizhou, Guangdong Province, China



## Smart Hotel & Smart Home

Professional & Innovative





## ORBITA TECHNOLOGY CO., LTD.

**Office Address:** Room 801-804, Building A, Zhongmin Time Plaza, 12 Sungang East Road, Luohu District, Shenzhen, China.

**Factory Address:** Orbita Industrial Park, Zhoukangwei, Changbu village, Xinxu Town, Huiyang Dist. Huizhou, Guangdong Province, China

Tel: 0086-755-83368958/83369158

Fax: 0086-755-83617778

---

### AUTHORISED EXCLUSIVE DISTRIBUTOR LETTER

Effective: January 1<sup>st</sup>, 2025

To whom it may concern:

This is to certify that **Hospality Information Company Limited** is the authorized exclusive distributor of ORBITA in **Kingdom of Saudi Arabia (Jeddah, Makkah and Madinah regional)**. For any assistance please contact:

Address:

Hospality Information Company Limited

Contact person: Mohd Irfan Saifi

Tel:+966 55 082 1757

Email: info@aldiyafainfo.com

Address:Qurban Street tale Omar Bin Abdulaziz, Qurban,Madinah 42316, KSA

**Hospality Information Company Limited** has the responsibility to promote, distribute, and offer technical assistance for Orbita technology Co., Ltd.

If you have any questions please feel free to contact us.

Best regards,

Orbita Technology Co., ltd

Jan 1<sup>st</sup>, 2025



# Company Development

# 2025

## 2004.11.08

Orbita ShenZhen Established.

## 2005

Signed strategic cooperation agreement with Al-Muhaidib and entered Middle East market.

## 2006

Products passed CE,FCC.

## 2007

Export value exceeded 2 million US dollars.

## 2008

Adapted ERP to better management.

## 2009

Product passed En 14846 European standard certification and 200,000 times cycle test.

## 2010

Factory adapted ISO9001/2008 and established ORBITA Thailand.

## 2011

ORBITA lock software interfaced with Fidelio Opera PMS system.

## 2012

Hotel references exceeded 5000 projects, ORBITA became top 3 Chinese brands in international market.

## 2013

Established ORBITA Vietnam, ORBITA Brazil.

## 2014

Invested 46000 square-meter garden factory and created the biggest smart lock production capacity in China.

## 2015

Established Dubai office, Cambodia office.

## 2016

ORBITA ZigBee wireless hotel lock launched, Entered China domestic market.

## 2017

Signed agreements with Vienna, Jinjiang Group, Listed as China Hi-Tech Enterprise. GRMS products launched.

## 2018

BLE, NB-IOT lock and biometric lock launched.

## 2019

Entered Wyndham / Mehood / GSHM hotel group vendor list.

## 2020

Established GRMS and Smart home departments.

## 2021

Started R&D on ORBITA Cloud Ecosphere involving ORBITA commercial and residential products.

## 2022

ORBITA renewed CE certificate for full hotel lock and residential lock series tested by Intertek based on En14846 (mechanical & electronic test) and En1634 (fire test).

## 2023

Chose the Hospitality Pioneer as a SOLE agent for Saudi Arabia for KSA market to expand our company in middle east region.

# CERTIFICATES



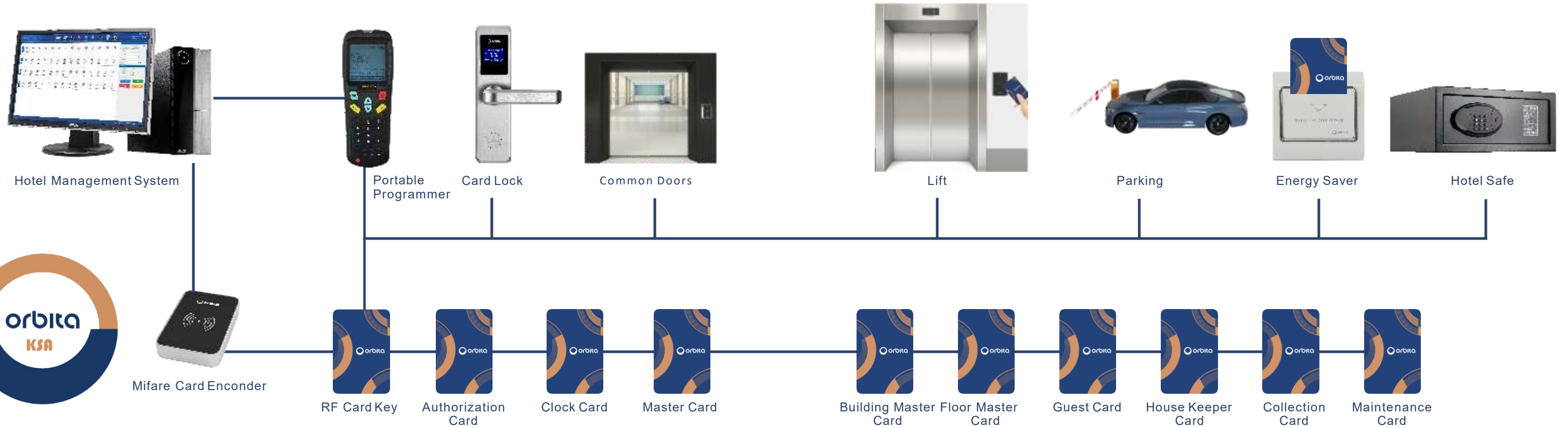
# Orbita Hotel Locks

Professional



# Orbita One Card System Configuration

- Interface with most of the PMS systems including Opera and FIAS format PMS
- Room card operates lift, parking and common access readers
- Room card operates Energy savers to manage power
- Room card operates Sauna, Fitness center locker lock
- Interface with third party readers
- Spare unencrypted sections for third party RFID system





# Split Design

Aesthetic Design With Hidden Cylinder



Elegant & Fashionable



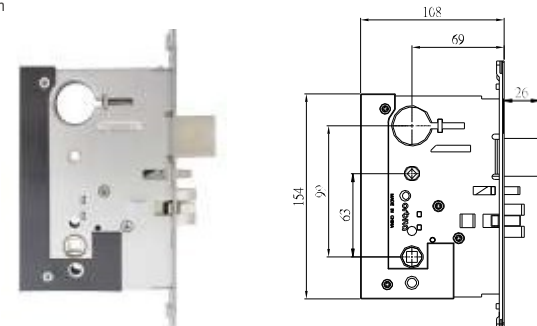
Technical Parameters	
Model	S3079A
Power Consumption	Static Load < 30 μA, Dynamic Load < 200 mA
Working Humidity	20%-90%
Working Temperature	-20°C ~ 60°C
Dimension of External Panel	L60 * W60 * H12 mm

### Specifications

- Support the latest RFID & NFC technology with Mifare 13.56MHz technology
- Optional Bluetooth & Wireless Online solution
- UL fire rated mortise
- Moisture & dust proof
- BHMA (circling test) listed ANSI mortise
- Panic release function
- 304 stainless steel corrosion resistant handle and panels
- Hidden mechanical override cylinder
- Standard 1680 events, optional 3360 events
- Interface with Opera or FIAS format PMS
- Operated with 4 standard AA alkaline batteries lasting 12~24 months
- Low battery voltage warning
- Wireless Portable Programmer
- Room card compatible with hotel lift reader & common access reader for Parking / Swimming Pool/ Sauna Room/ Tennis Court/ Gym etc.

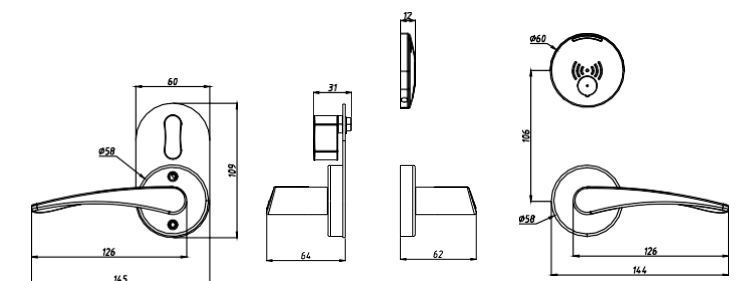
### Lock Mortise

Unit:mm

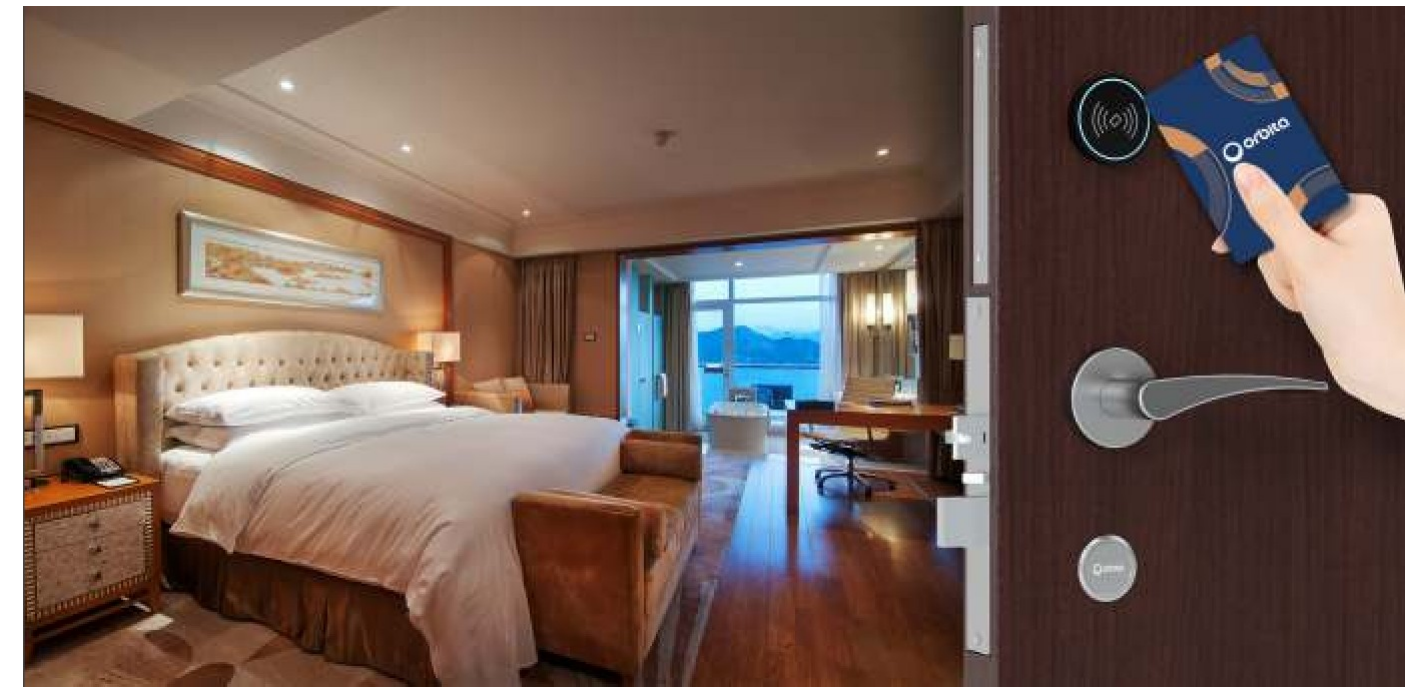


### Lock Size

Unit:mm



Ultra-thin Design  
**FASHION**



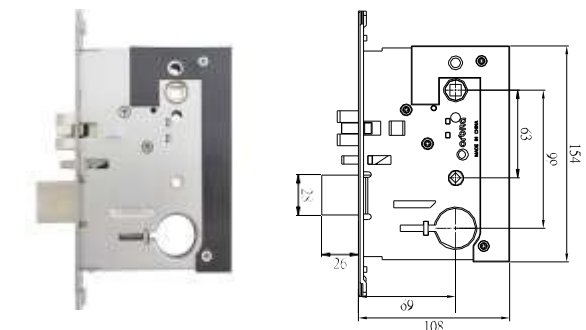
Technical Parameters	
Model	S3074
Power Consumption	Static Load < 30 $\mu$ A, Dynamic Load < 200 mA
Working Humidity	20%-90%
Working Temperature	-20°C ~ 60°C
Dimension of External Panel	L52 * W52 * H12 mm

**Specifications**

- Support the latest RFID & NFC technology with Mifare 13.56MHz technology
- Optional Bluetooth & Wireless Online solution
- UL fire rated mortise
- Moisture & dust proof
- BHMA (circling test) listed ANSI mortise
- Panic release function
- 304 stainless steel corrosion resistant handle and panels
- Hidden mechanical override cylinder
- Standard 1680 events, optional 3360 events
- Interface with Opera or FIAS format PMS
- Operated with 4 standard AA alkaline batteries lasting 12~24 months
- Low battery voltage warning
- Wireless Portable Programmer
- Room card compatible with hotel lift reader & common access reader for Parking / Swimming Pool/ Sauna Room/ Tennis Court/ Gym etc.

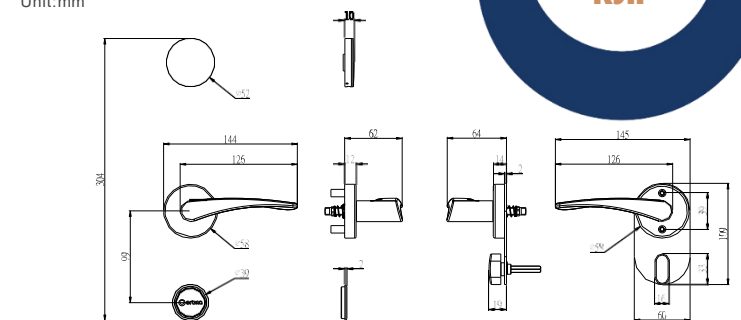
**Lock Mortise**

Unit:mm



**Lock Size**

Unit:mm







# Slim Design European Style

Best choice for narrow profile  
or aluminum door



E3064P E3464P E3164P E3564P

### Technical Parameters

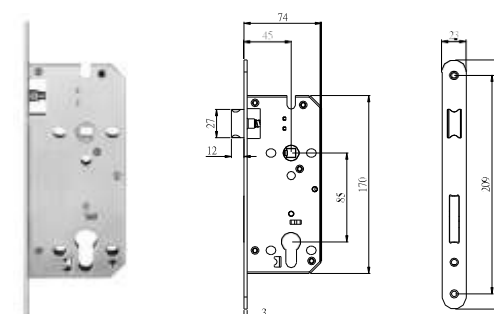
Model	E3064P
Power Consumption	Static Load < 30 $\mu$ A, Dynamic Load < 200 mA
Working Humidity	20%-90%
Working Temperature	-20°C ~ 60°C
Dimension of External Panel	L280 * W40 * H13 mm

### Specifications

- Support the latest RFID & NFC technology with Mifare 13.56MHz technology
- Optional Bluetooth & Wireless Online solution
- Renovated clutch inside lock panel
- Fire rated(CE,SIRIM) purely mechanical mortise with flexible width
- Moisture & dust proof
- 304 stainless steel corrosion resistant handle and panels
- Hidden mechanical override cylinder
- Standard 1680 events, optional 3360 events
- Interface with Opera or FIAS format PMS
- Operated with 4 standard AAA alkaline batteries lasting 12~24 months
- Low battery voltage warning
- Wireless Portable Programmer
- Room card compatible with hotel lift reader & common access reader for Parking / Swimming Pool/ Sauna Room/ Tennis Court/ Gym etc.

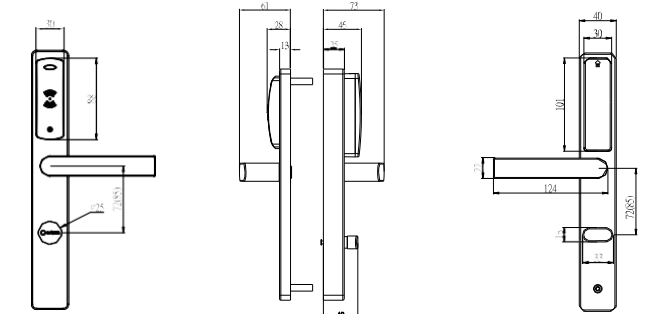
### Lock Mortise (Other Eu Mortise Size Available)

Unit:mm



### Lock Size

Unit:mm





Technical Parameters	
Model	S3063P
Power Consumption	Static Load < 30 $\mu$ A, Dynamic Load < 200 mA
Working Humidity	20%-90%
Working Temperature	-20°C ~ 60°C
Dimension of External Panel	L94 * W36 * H20 mm

#### Specifications

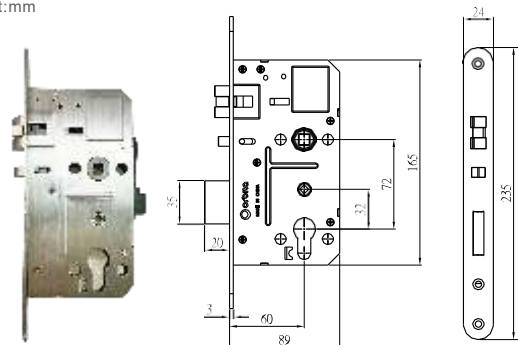
- Support the latest RFID & NFC technology with Mifare 13.56MHz technology
- Optional Bluetooth & Wireless Online solution
- Renovated clutch inside lock panel
- Fire rated(CE, SIRIM) purely mechanical mortise with flexible width
- Moisture & dust proof
- 304 stainless steel corrosion resistant handle and panels
- Hidden mechanical override cylinder
- Standard 1680 events, optional 3360 events
- Interface with Opera or FIAS format PMS
- Operated with 4 standard AAA alkaline batteries lasting 12~24 months
- Low battery voltage warning
- Wireless Portable Programmer
- Room card compatible with hotel lift reader & common access reader for Parking / Swimming Pool/ Sauna Room/ Tennis Court/ Gym etc.



S3063P S3463P S3163P S3563P

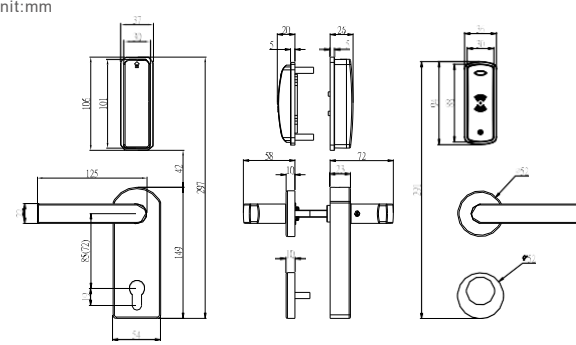
#### Lock Mortise (Other Eu Mortise Size Available)

Unit:mm



#### Lock Size

Unit:mm



Technical Parameters	
Model	S4032
Power Consumption	Static Load < 30 $\mu$ A, Dynamic Load < 200 mA
Working Humidity	20%-90%
Working Temperature	-20°C ~ 60°C
Dimension of External Panel	L100 * W65 * H15 mm

#### Specifications

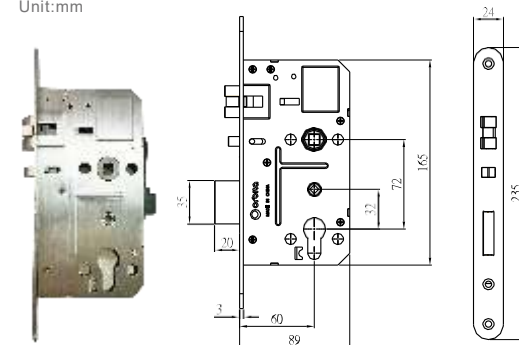
- Support the latest RFID & NFC technology with Mifare 13.56MHz technology
- Optional Bluetooth & Wireless Online solution
- Fire rated (CE, SIRIM) European electronic anti-panic mortise
- Moisture & dust proof
- 304 stainless steel corrosion resistant handle and panels
- Free Turn anti-violence handle
- Hidden mechanical override cylinder
- Standard 1680 events, optional 3360 events
- Interface with Opera or FIAS format PMS
- Operated with 4 standard AA alkaline batteries lasting 12~24 months
- Low battery voltage warning
- Wireless Portable Programmer
- Room card compatible with hotel lift reader & common access reader for Parking / Swimming Pool/ Sauna Room/ Tennis Court/ Gym etc.



S4032 S4432 S4132 S4532

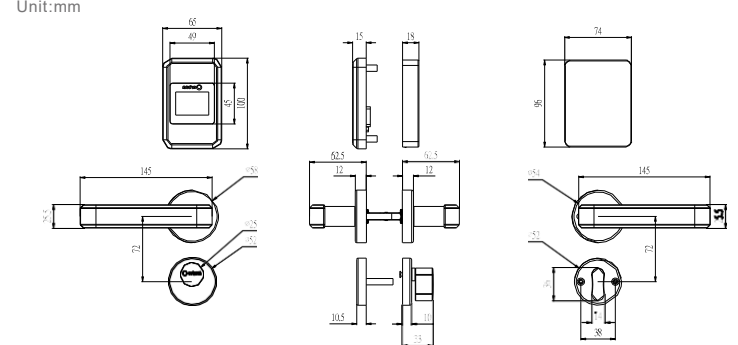
#### Lock Mortise (Other Eu Mortise Size Available)

Unit:mm



#### Lock Size

Unit:mm



# LCD Hotel Lock

A real user friendly lock with room confirmation and text / symbol indication



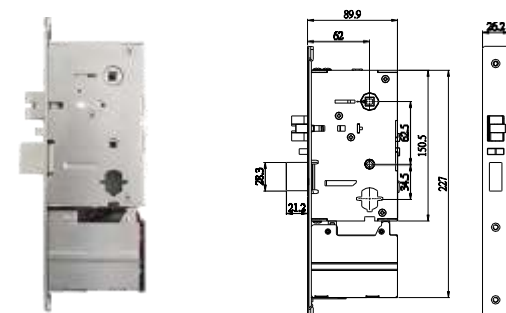
Technical Parameters	
Model	E4031
Power Consumption	Static Load < 30 $\mu$ A, Dynamic Load < 200 mA
Working Humidity	20%-90%
Working Temperature	-20°C ~ 60°C
Dimension of External Panel	L290 * W60 * H15 mm

### Specifications

- Support the latest RFID & NFC technology with Mifare 13.56MHz technology
- Optional Bluetooth & Wireless Online solution
- Fire rated (CE, SIRIM), optional UL fire rated mortise
- Moisture & dust proof
- BHMA (circling test) listed ANSI mortise
- Panic release function
- 304 stainless steel corrosion resistant handle and panels
- Free Turn anti-violence handle
- Hidden mechanical override cylinder
- Standard 1680 events, optional 3360 events
- Interface with Opera or FIAS format PMS
- Operated with 4 standard AA alkaline batteries lasting 12-24 months
- Low battery voltage warning
- Wireless Portable Programmer
- LCD screen showing: Welcome, Room number, Weekday, Battery status, Wrong operation indication etc
- Room card compatible with hotel lift reader & common access reader for Parking / Swimming Pool/ Sauna Room/ Tennis Court/ Gym etc.

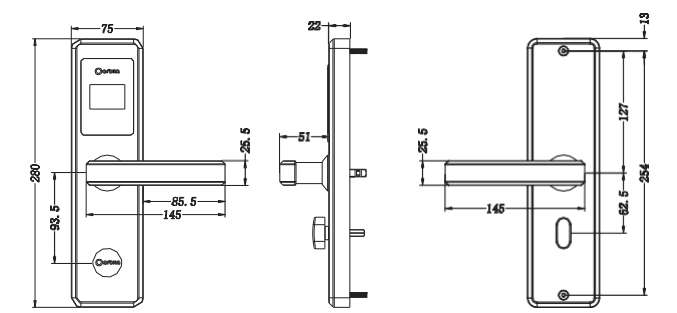
### Lock Mortise

Unit:mm



### Lock Size

Unit:mm



# LCD Hotel Lock

A real user friendly and fashionable lock with room confirmation and text / symbol indication



## Technical Parameters

Model	E4041
Power Consumption	Static Load < 30 $\mu$ A, Dynamic Load < 200 mA
Working Humidity	20%-90%
Working Temperature	-20°C ~ 60°C
Dimension of External Panel	L280 * W75 * H22 mm

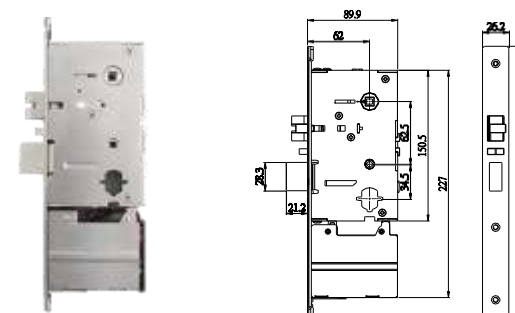
## Specifications

- Support the latest RFID & NFC technology with Mifare 13.56MHz technology
- Optional Bluetooth & Wireless Online solution
- Fire rated(CE, SIRIM), optional UL fire rated mortise
- Moisture & dust proof
- BHMA (circling test) listed ANSI mortise
- Panic release function
- 304 stainless steel corrosion resistant handle and frame with acrylic panels fashion design
- Free Turn anti-violence handle
- Hidden mechanical override cylinder
- Standard 1680 events, optional 3360 events
- Interface with Opera or FIAS format PMS
- Operated with 4 standard AA alkaline batteries lasting 12~24 months
- Low battery voltage warning
- Wireless Portable Programmer
- LCD screen showing: Welcome, Room number, Weekday, Battery status, Wrong operation indication etc
- Room card compatible with hotel lift reader & common access reader for Parking / Swimming Pool/ Sauna Room/ Tennis Court/ Gym etc.



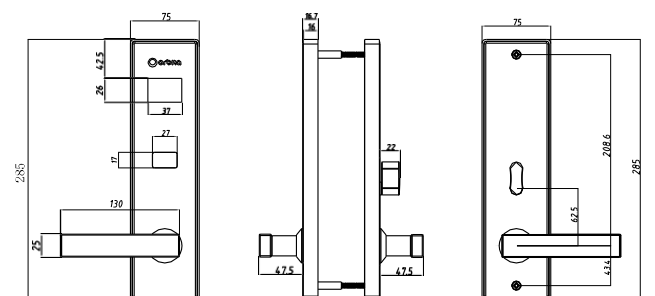
## Lock Mortise

Unit:mm



## Lock Size

Unit:mm



# Waterproof Design

Complete 304 stainless steel material  
Sealed electronics



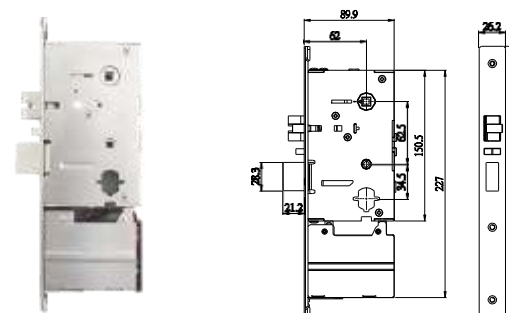
Technical Parameters	
Model	E3041
Power Consumption	Static Load < 30 $\mu$ A, Dynamic Load < 200 mA
Working Humidity	20%-90%
Working Temperature	-20°C ~ 60°C
Dimension of External Panel	L280 * W75 * H22 mm

## Specifications

- Support the latest RFID & NFC technology with Mifare 13.56MHz technology
- Optional Bluetooth & Wireless Online solution
- Fire rated (CE, SIRIM), optional UL fire rated mortise
- Water & dust proof with IP54 certificate
- BHMA (circling test) listed ANSI mortise
- Panic release function
- 304 stainless steel corrosion resistant handle and panels
- Free Turn anti-violence handle
- Hidden mechanical override cylinder
- Standard 1680 events, optional 3360 events
- Interface with Opera or FIAS format PMS
- Operated with 4 standard AA alkaline batteries lasting 12-24 months
- Low battery voltage warning
- Wireless Portable Programmer
- Room card compatible with hotel lift reader & common access reader for Parking / Swimming Pool/ Sauna Room/ Tennis Court/ Gym etc.

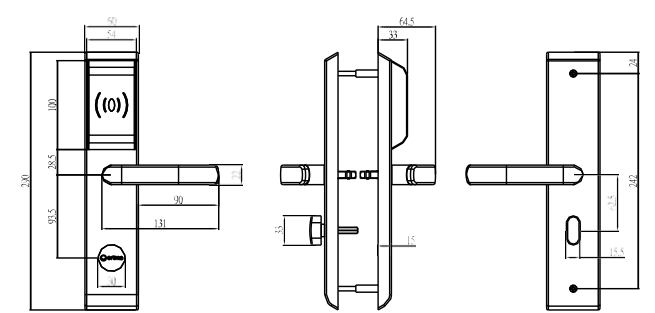
## Lock Mortise

Unit:mm



## Lock Size

Unit:mm





**Bluetooth Hotel lock**  
-E4431B

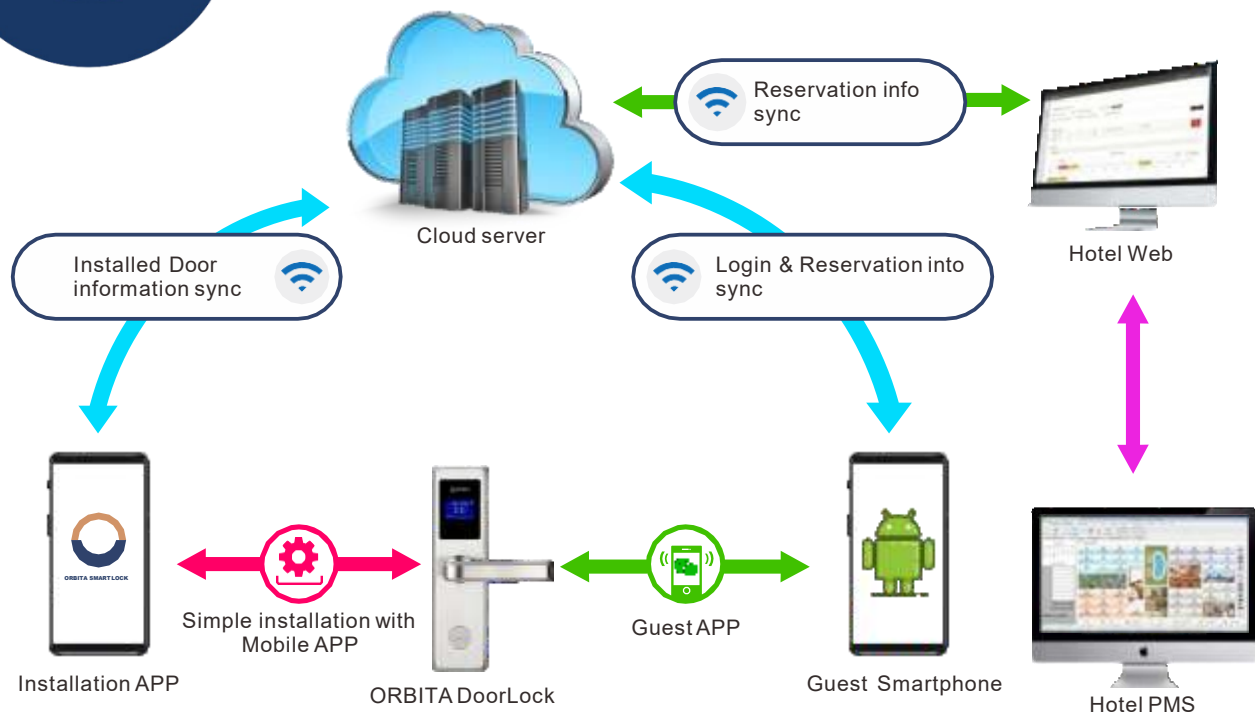


**Wireless Online Type Hotel Lock**  
- E3041Z

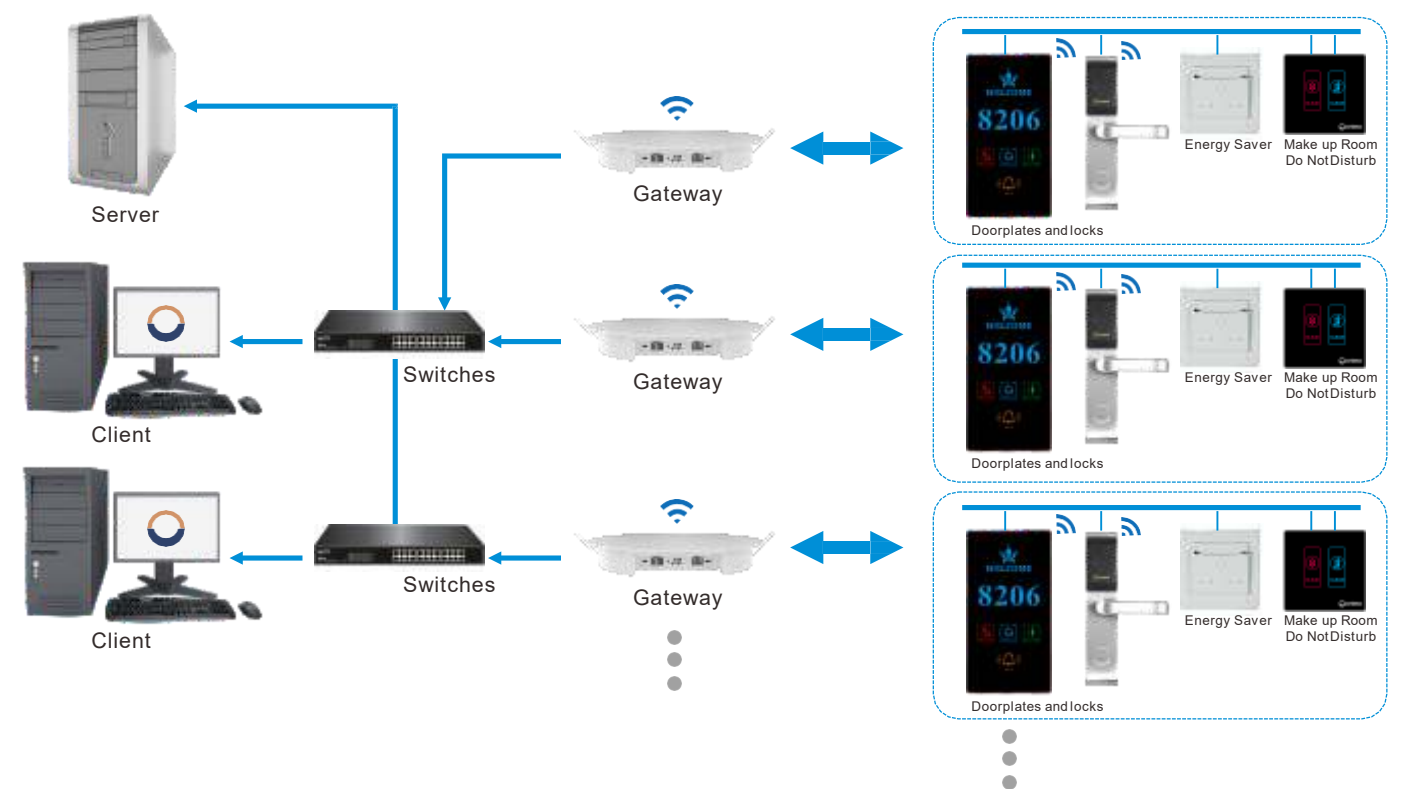
- Remote Open
- Remote Block
- Emergency Open
- Remote Room Change
- Remote Room Extension
- VIP Card
- Check Battery
- Update Clock
- Download Records



**Hotel Mobile Key Application**



**Hotel Wireless Online Lock & Door Plate Application**





معلومات  
Hospitality Information  
COMPANY LIMITED

## ORBITA Air BnB Lock

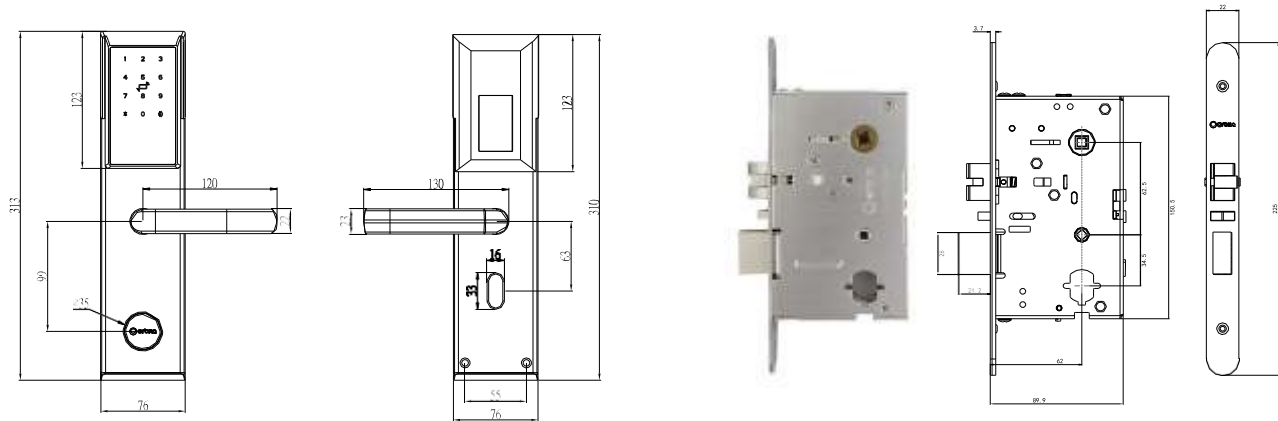
Multiple unlocking methods



### Features

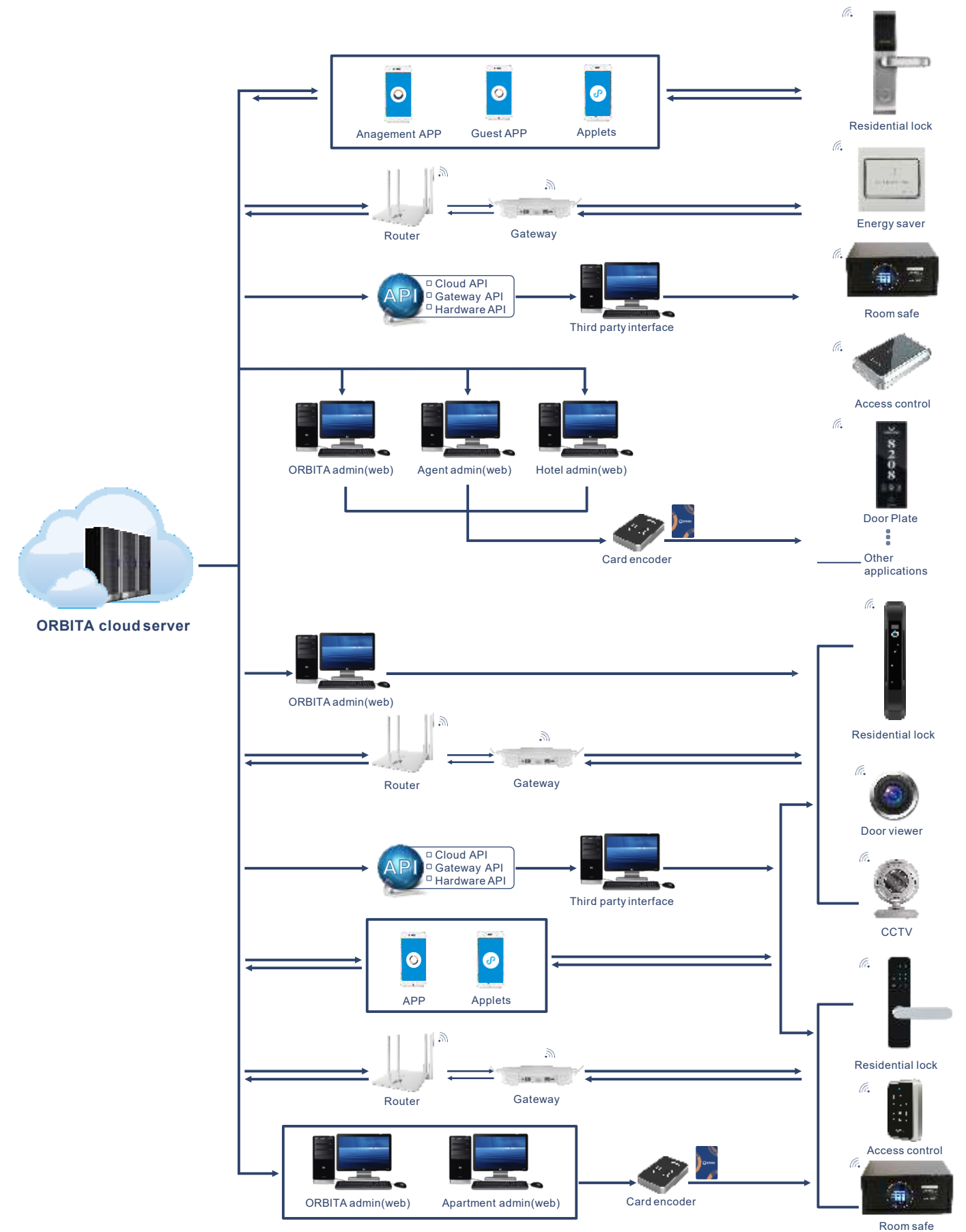
- Open methods: code, RFID card, Mobile key, override mechanical key
- System Generated password with validity
- Mobile Key with validity
- Optional on-line function with gateway
- Application: AirBnb, motel, family hotel, rental apartment, service apartment, office etc.

### ◆ Size (mm)



Model: E3093	Material: 304 Stainless Steel
Color: Silver, Golden, Antique Bronze, Black	Battery: 4 AA Alkaline
Operating Temperature: < -20°C~60°C	Operating Humidity: < 80%
Mortise: Precision Casting 304 Stainless Steel, With Security Latch	
Door type: Wooden door, Security door, Copper door, Stainless steel door etc	
Door thickness: 40-110mm	

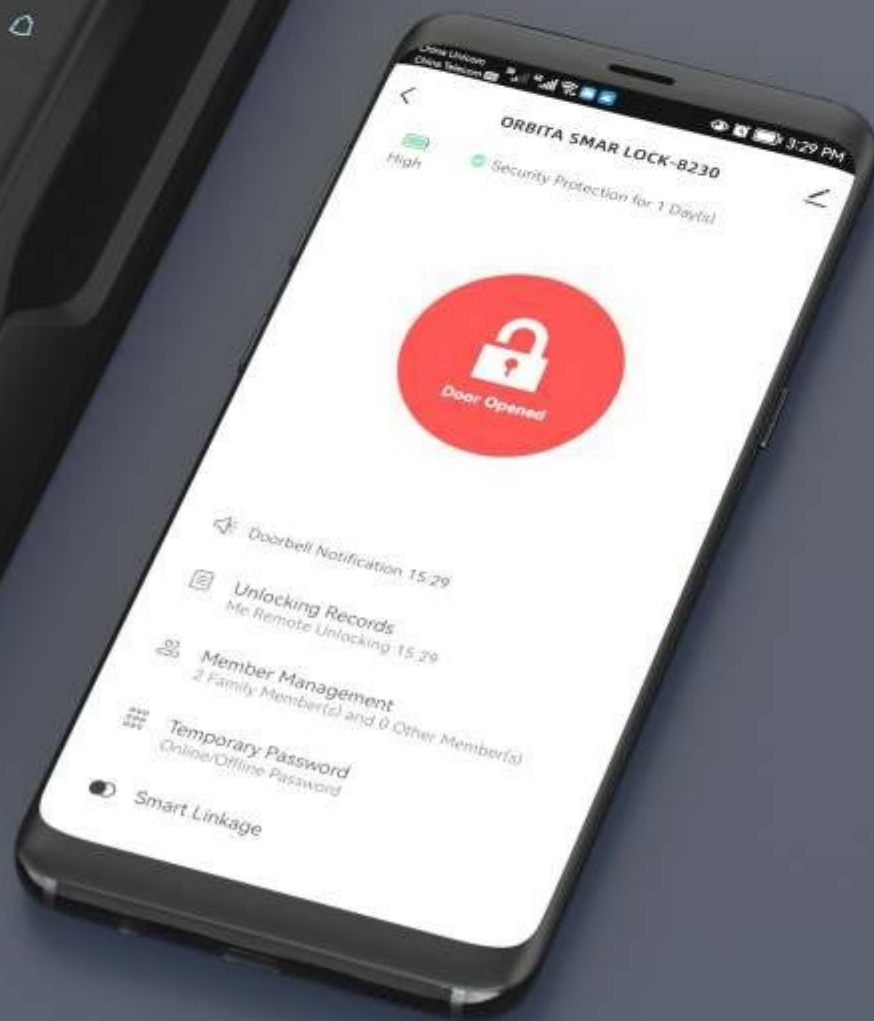
# ORBITA Cloud Ecosphere





# ORBITA Smart Fingerprint Lock

Safe & Convenient



### ORBITA P8010 Smart Lock

Safe & Simple

Multiple unlocking methods



### ORBITA P8030 Automatic Smart Lock

Safe & Convenient

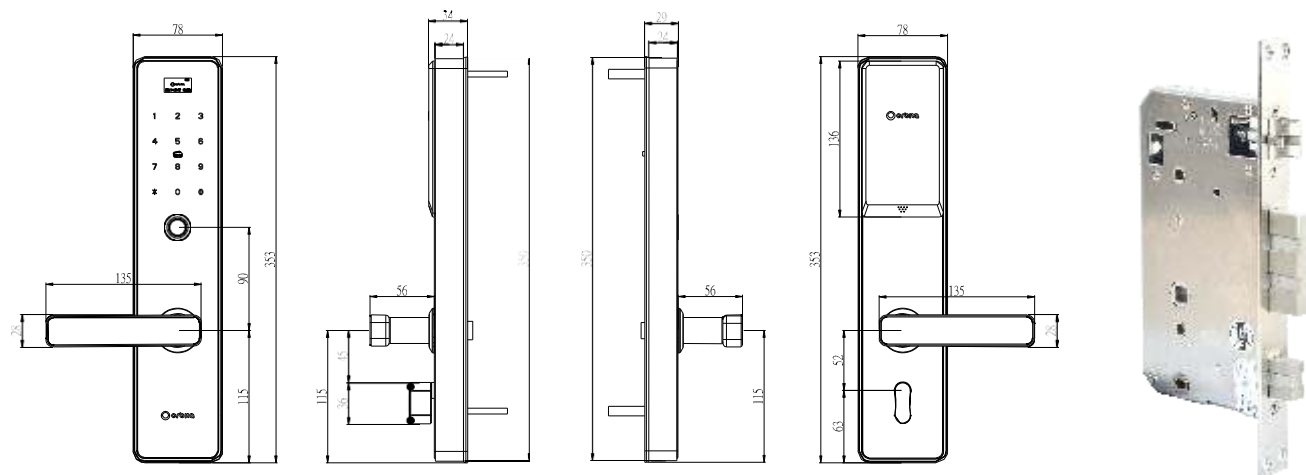
Multiple unlocking methods



#### Features

- Unlocking methods: Fingerprint, RFID Card, Password, App, Applets, Override mechanical key
- 6-16-digital anti-peeping password
- Sweden FPC biometric fingerprint sensor
- Voice navigation LCD display for text navigation
- Tamper-proof alarm, low battery alarm, continuous wrong password alarm
- Mini USB port for emergency power supply by power bank Traceable events

#### ◆ Size (mm)



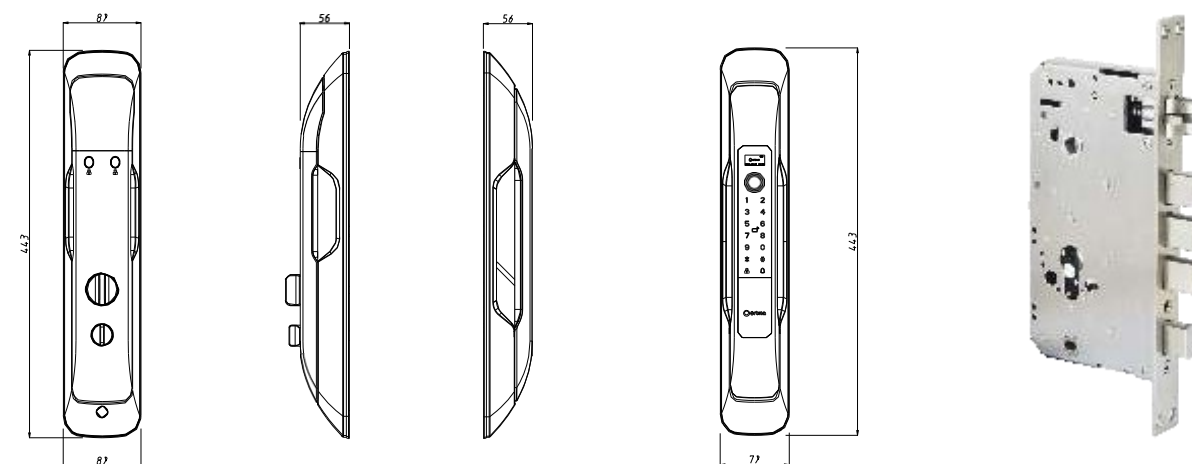
Model: P8010	Material: 304 Stainless Steel
Color: Silver, Golden, Antique Bronze, Black	Battery: 4 AA Alkaline
Operating Temperature : -20°C~60°C	Operating Humidity: <80%
Mortise: Precision Casting 304 Stainless Steel, With Security Latch	
Door type: Wooden door, Security door, Copper door, Stainless steel door etc	
Door thickness: 40-110mm	



#### Features

- Unlocking methods: Fingerprint, RFID Card, Password, App, Applets, Override mechanical key
- Motorized latch and deadbolt
- 6-16-digital anti-peeping password Electronic door bell with
- App indication and remote unlocking Sweden FPC biometric fingerprint sensor
- Voice navigation LCD display for text navigation
- Tamper-proof alarm, low battery alarm, continuous wrong password alarm
- Powered by rechargeable battery
- Mini USB port for emergency power supply by power bank Traceable events

#### ◆ Size (mm)



Model: P8030	Material: High Strength ZincAlloy
Color: Silver, Golden, Antique Bronze, Black	Battery: Rechargeable lithium battery
Operating Temperature : -20°C~60°C	Operating Humidity: <80%
Mortise: Precision Casting 304 Stainless Steel, With Security Latch	
Door type: Wooden door, Security door, Copper door, Stainless steel door etc	
Door thickness: 40-110mm	

**ORBITA P7020 Bluetooth Smart Lock**  
Remote one time password generation

Multiple unlocking methods



**ORBITA P7021 Bluetooth Smart Lock**  
SAFE & CONVENIENT

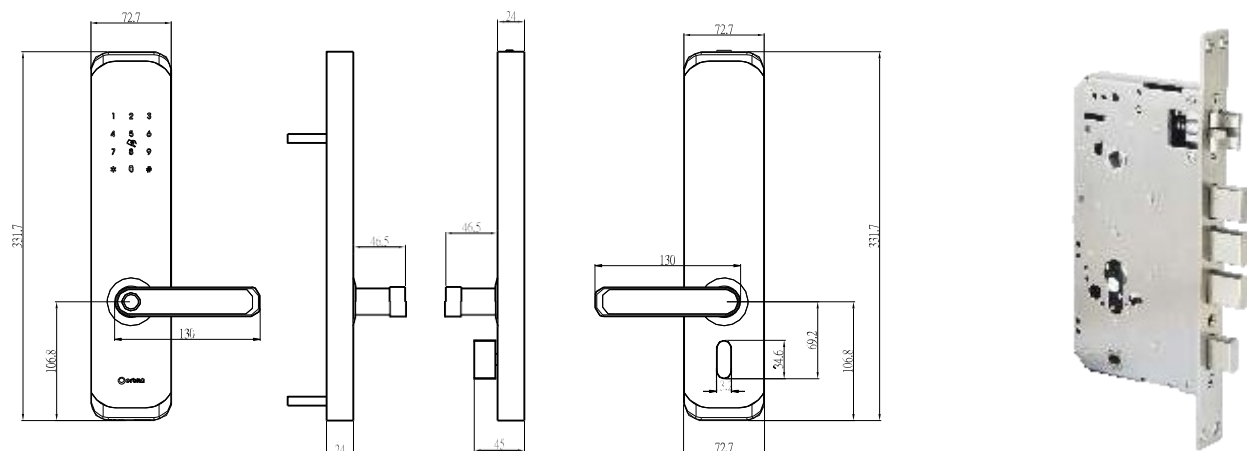
Multiple unlocking methods



**Features**

- Unlocking methods: Fingerprint, Card, Password, Bluetooth, override mechanical key
- 6-16-digital anti-peeping password
- Sweden FPC biometric fingerprint sensor
- Tamper-proof alarm, low battery alarm, continuous wrong password alarm
- Events traceable by mobile App Application: Airbnb, studio, rental
- apartment, School, Office

◆ Size (mm)



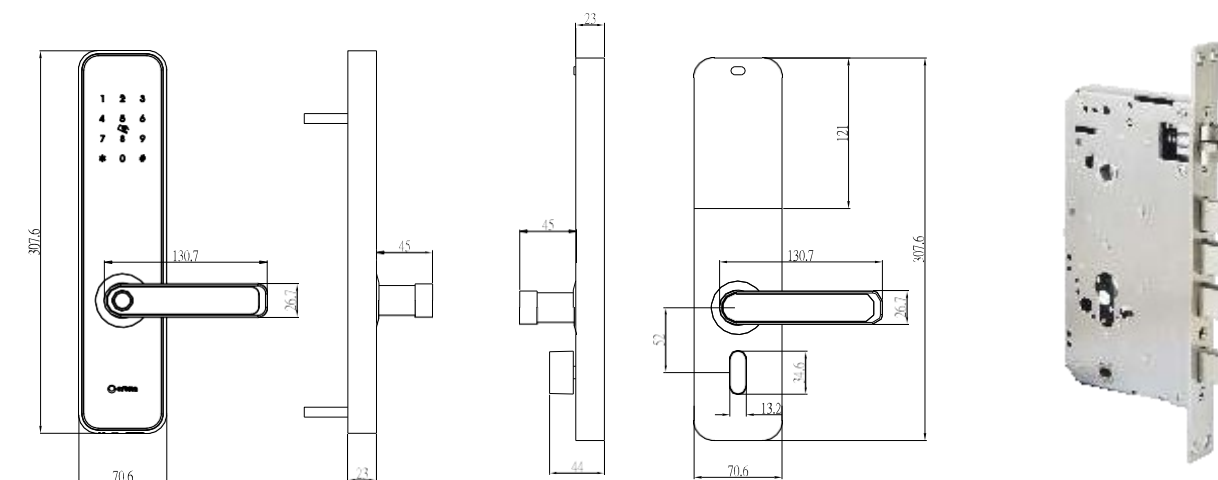
Model: P7020	Material: High Strength Aluminum Alloy
Color: Silver, Black	Battery: 4 AA Alkaline
Operating Temperature : -20°C~60°C	Operating Humidity: < 80%
Mortise: Precision Casting 304 Stainless Steel, With Security Latch	
Door type: Wooden door, Security door, Copper door, Stainless steel door etc	
Door thickness: 40-110mm	



**Features**

- Unlocking methods: Fingerprint, Card, Password, Bluetooth, override mechanical key
- 6-16-digital anti-peeping password
- Sweden FPC biometric fingerprint sensor
- Tamper-proof alarm, low battery alarm, continuous wrong password alarm
- Events traceable by mobile App Application: Airbnb, studio, rental
- apartment, School, Office

◆ Size (mm)



Model: P7021	Material: High Strength Aluminum Alloy
Color: Silver, Black	Battery: 4 AA Alkaline
Operating Temperature : -20°C~60°C	Operating Humidity: < 80%
Mortise: Precision Casting 304 Stainless Steel, With Security Latch	
Door type: Wooden door, Security door, Copper door, Stainless steel door etc	
Door thickness: 40-110mm	

**ORBITA P7024 Bluetooth Smart Lock**  
Remote one time password generation

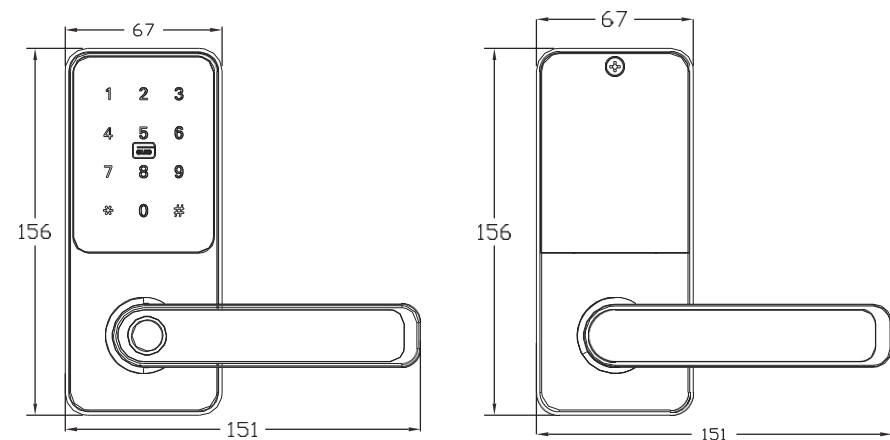
Multiple unlocking methods



**Features** ///

- Unlocking methods: Fingerprint, RFID Card, Password, App
- Motorized latch
- 6-16-digital anti-peeping password
- Sweden FPC biometric fingerprint sensor
- Voice navigation
- Tamper-proof alarm, low battery alarm, continuous wrong password alarm
- Mini USB port for emergency power supply by power bank Traceable
- events

◆ Size (mm)



Model: P7024	Material: High quality aluminum alloy
Color: Silver, Black	Battery: 4 AA Alkaline
Operating Temperature : -20°C~60°C	Operating Humidity: < 80%
Mortise: Precision Casting 304 Stainless Steel, With Security Latch	
Door type: Wooden door, Security door, Copper door, Stainless steel door etc	
Door thickness: 40-110mm	

**ORBITA P7025 Automatic Bluetooth Smart Lock**  
Simple & Economical

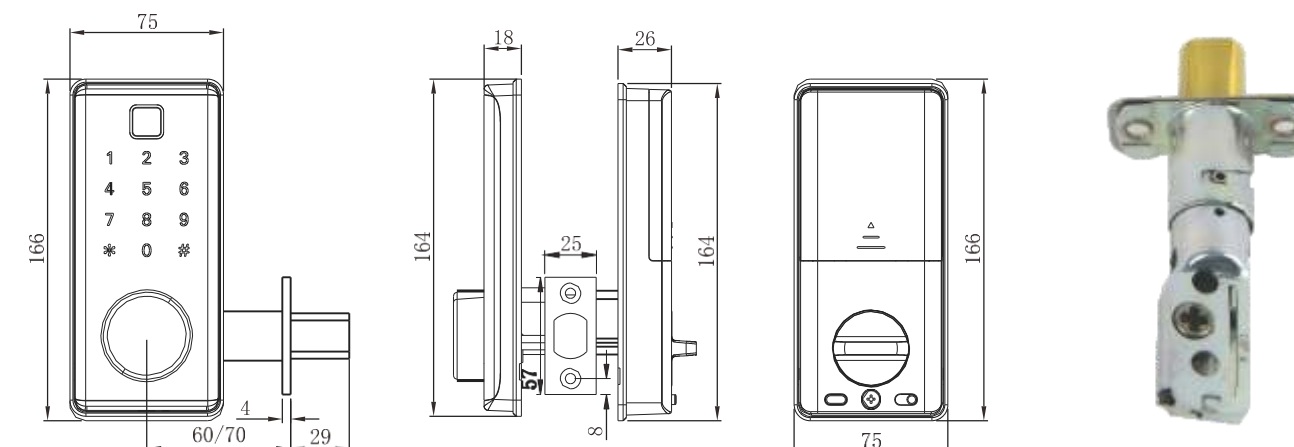
Multiple unlocking methods



**Features** ///

- Unlocking methods: Fingerprint, RFID Card, Password, App
- Motorized latch
- 6-16-digital anti-peeping password
- Sweden FPC biometric fingerprint sensor
- Voice navigation
- Tamper-proof alarm, low battery alarm, continuous wrong password alarm
- Mini USB port for emergency power supply by power bank Traceable
- events

◆ Size (mm)



Model: P7025	Material: High quality aluminum alloy
Color: Silver, Black, Champagne gold, Antique Bronze	Battery: 4 AA Alkaline
Operating Temperature : -20°C~60°C	Operating Humidity: < 80%
Mortise: Precision Casting 304 Stainless Steel, With Security Latch	
Door type: Wooden door, Security door, Copper door, Stainless steel door etc	
Door thickness: 40-110mm	

# ORBITA P7027 Automatic Smart Lock

Remote one time password generation

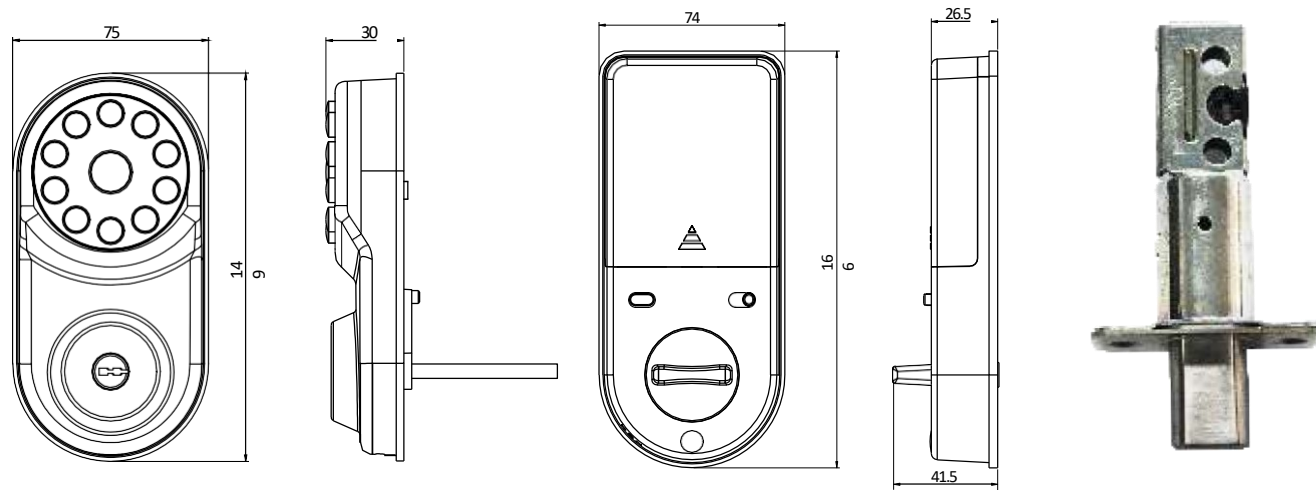


### Features

- Unlocking methods: Password, App, Bluetooth, Override mechanical key
- 6-16-digit anti-peeping password
- Voice navigation low battery alarm, continuous
- wrong password alarm 4pcs AA Alkaline battery
- Mini USB port for emergency power supply by power bank
- Traceable events

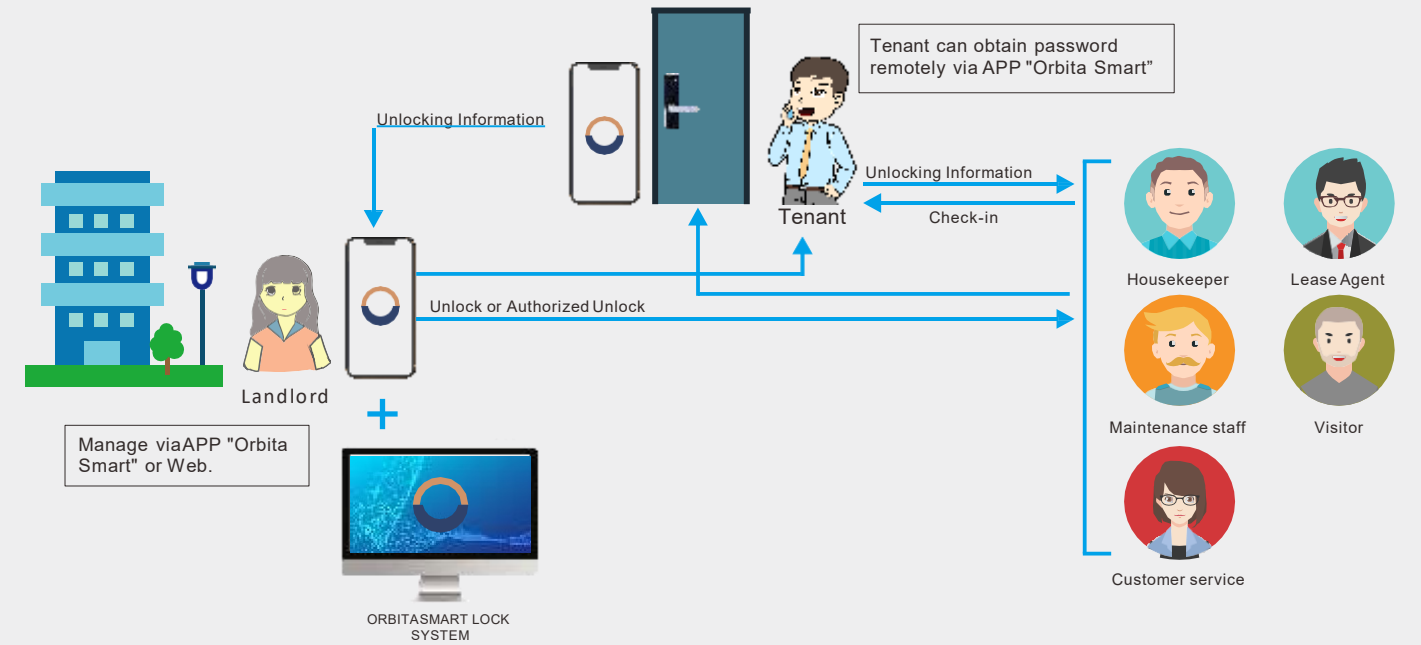


### Size (mm)

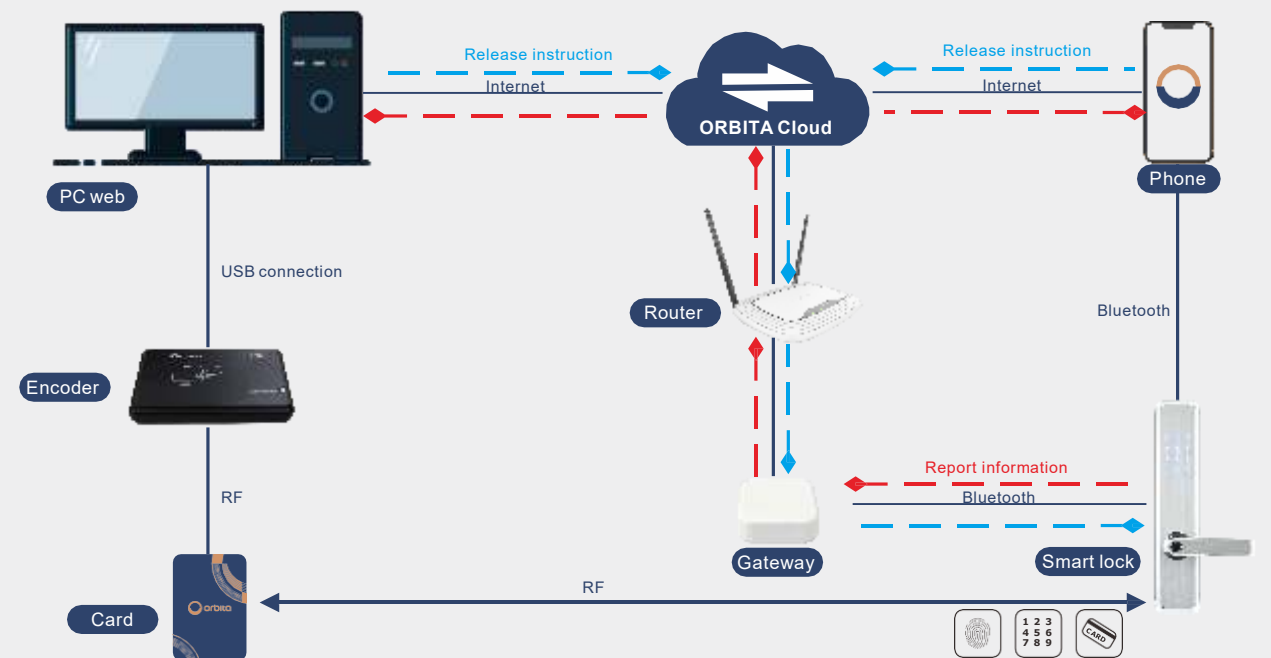


Model: P7027	Material: High Strength Zinc Alloy
Color: Silver, Black	Battery: 4 AA Alkaline
Operating Temperature : -20°C~60°C	Operating Humidity: < 80%
Mortise: Precision Casting 304 Stainless Steel	
Door type: Wooden door, Security door, Copper door, Stainless steel door etc	
Door thickness: 35-55mm	

# Orbita Bluetooth Door Lock Application Diagram



# Orbita Bluetooth Door Lock System Communication Diagram



# Bathroom Lock



Hospitality Information  
COMPANY LIMITED

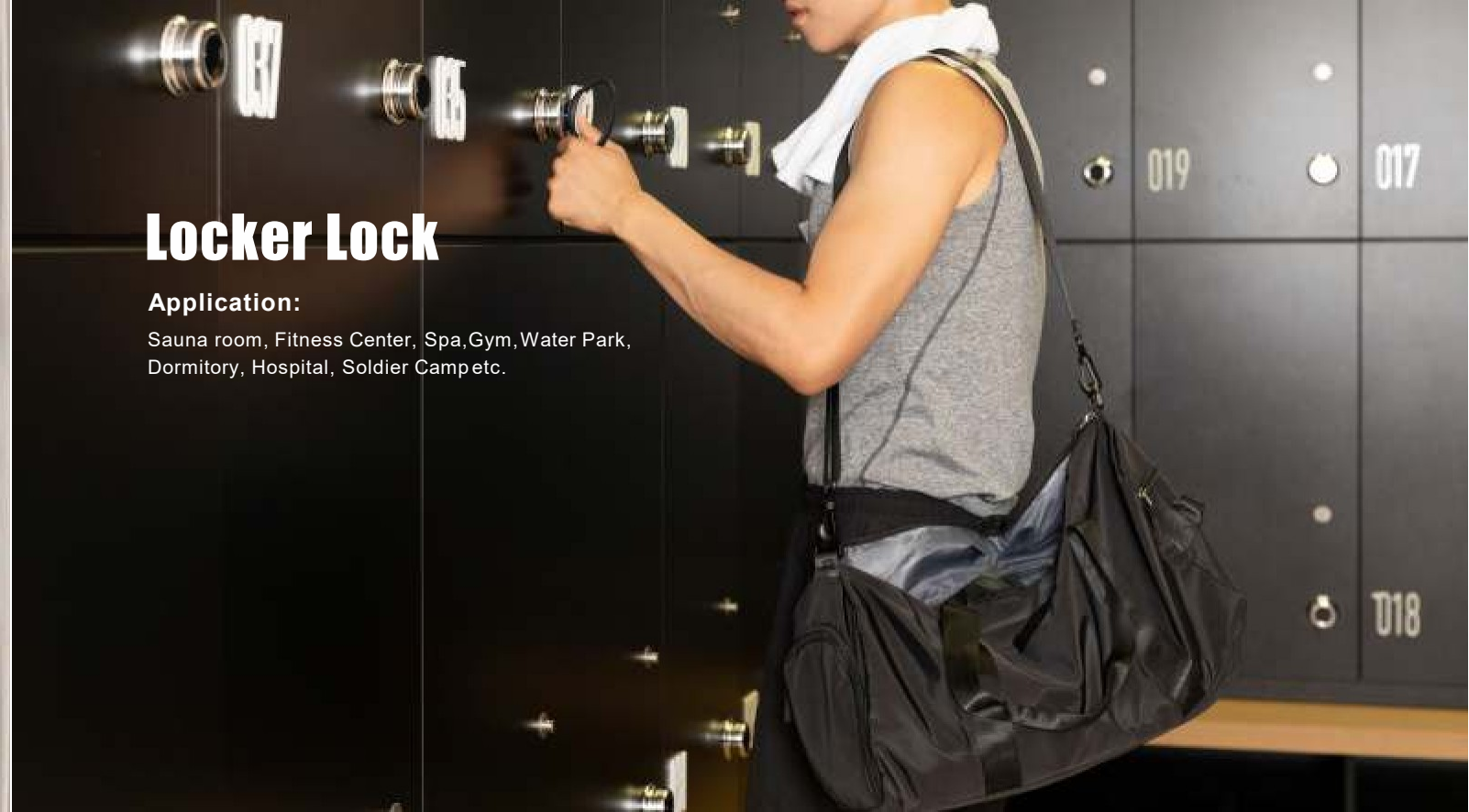
Complete 304 stainless steel material



# Locker Lock

## Application:

Sauna room, Fitness Center, Spa, Gym, Water Park, Dormitory, Hospital, Soldier Camp etc.



Model:B-304



Model:B-305



Model:B-306



Model:B-403



Model:B-308

## 1. Standard Mode:

ID or Mifare Card, program permanent guest keys and management keys on lock in advance.

## 2. Software Mode:

Mifare Card, program guest keys and management keys with validity via software and encoder.



SN-830



SN-840



SN-860



SN-870



SN-880



SN-831



SN-841



SN-861

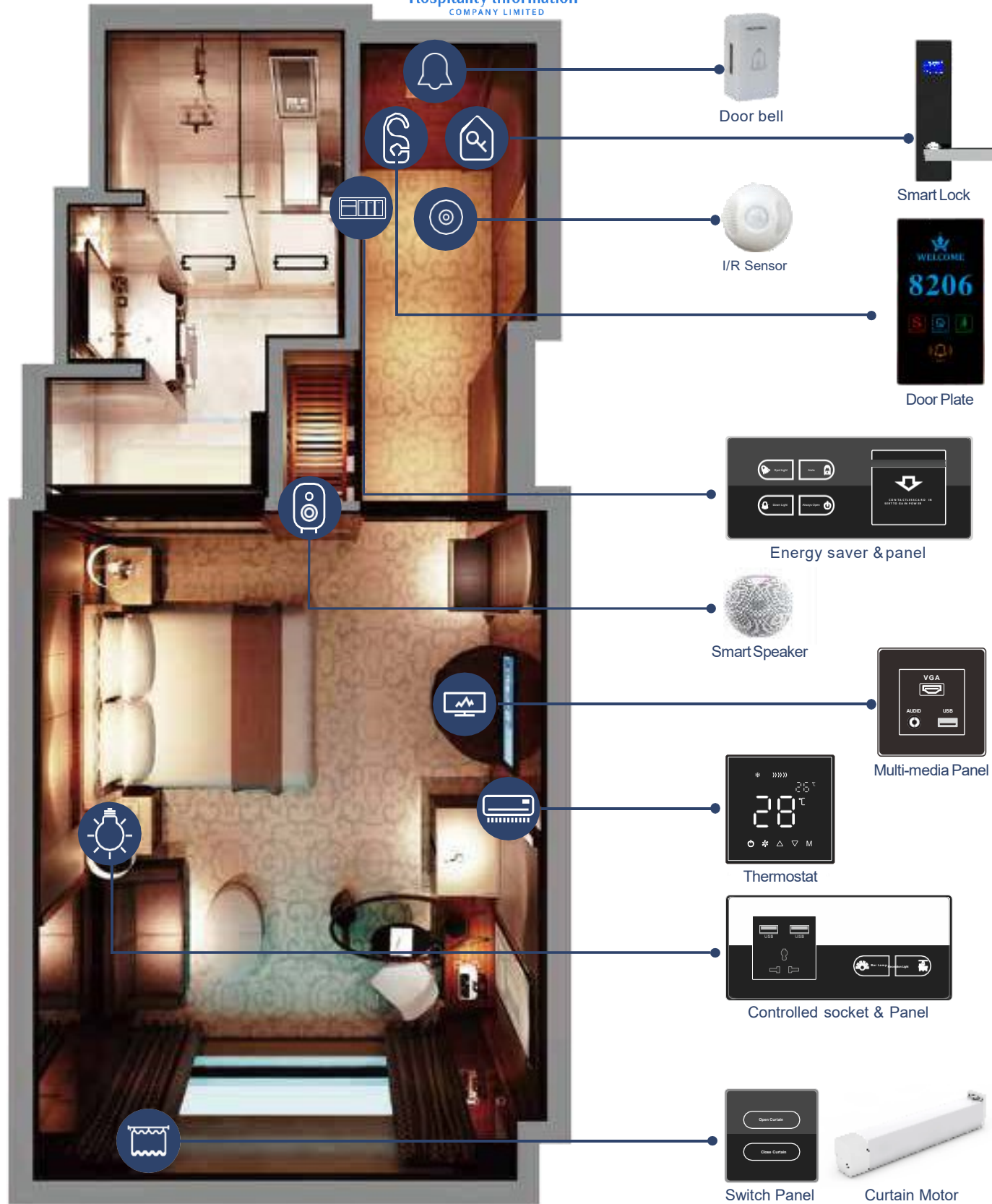


SN-871

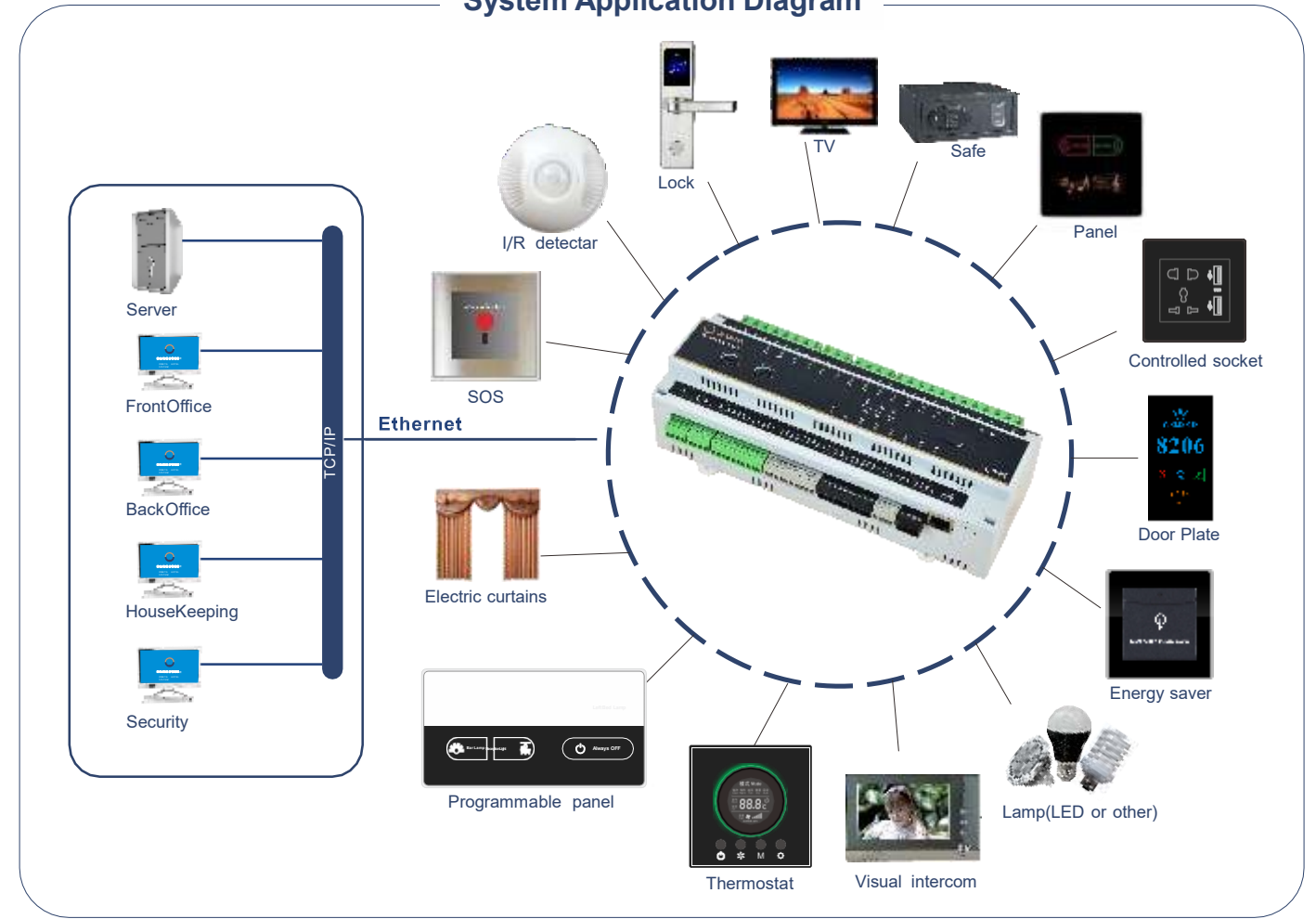


SN-881

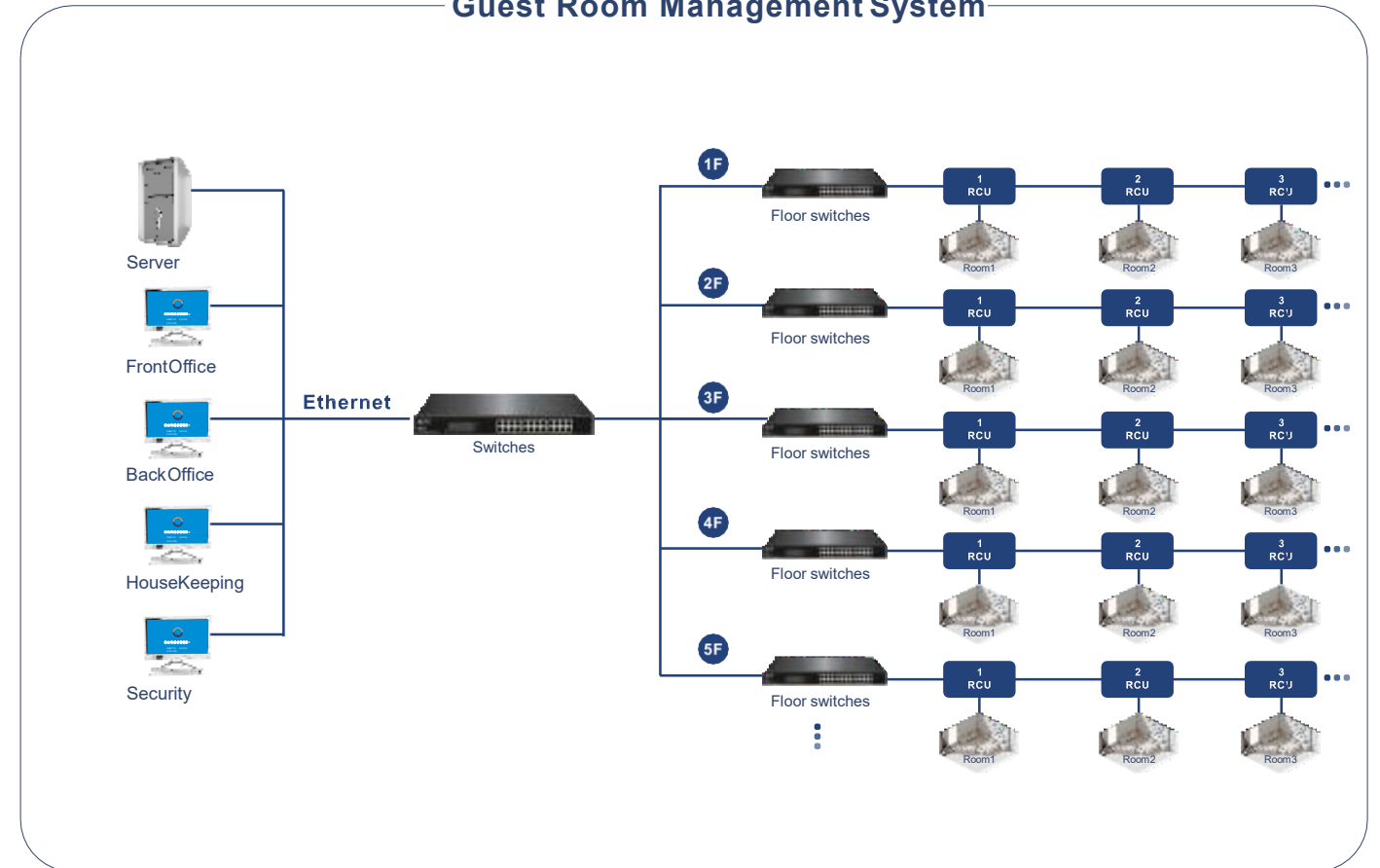
# Smart Hotel System



## System Application Diagram



## Guest Room Management System





معلومات  
Hospitality Information  
COMPANY LIMITED



# GRMS

Guest Room Management system



## Hotel Minibar

Cooling Method: Absorption/Semi-conductor  
Door Type: Black foam/Glass  
Capacity: 30/40/60 Liters



## Hotel Room Safe

### Features

- Steel material
- Events tracking function (optional)
- Spring loaded door
- Mounting holes at bottom and back with tamper-proof screws
- Timeout wrong code security feature
- Low battery warning



**OBT-2043 MB**

Size(mm):W430\*H200\*D370



**Model: OBT-2042 MG**

Size(mm):W420\*H200\*D370



**Model: OBT-2042 MJ**

Size(mm):W420\*H200\*D370



**Model: OBT-4135 MG**

Size(mm):W410\*H150\*D350



**Model: OBT-4135 MJ**

Size(mm):W410\*H150\*D350



Model	OBT-30	OBT-40	OBT-60
Cooling Method	Absorption	Absorption	Absorption
Storage Temperature (°C)	4-12	4-12	4-12
Input Power(W)	70	70	70
Validity Capacity(L)	30	40	60
Voltage(V)	AC220/110	AC220/110	AC220/110
Type of Controller	Digital	Digital	Digital
Type of Door Seal	Removable	Removable	Removable
Weight(kg)	16.5	18.5	21
Shape Size(W*D*H)mm	400*420*517	400*470*517	485*480*521



Model	TE-30	TE-40	TE-60
Cooling Method	Semi-conductor	Semi-conductor	Semi-conductor
Storage Temperature (°C)	5-18	5-18	5-18
Input Power(W)	65/75	65/75	65/75
Validity Capacity(L)	30	40	60
Voltage(V)	AC220/110	AC220/110	AC220/110
Type of Controller	Digital	Digital	Digital
Type of Door Seal	Removable	Removable	Removable
Net/Gross Weight(kg)	7.8/8.7	11.8/12.8	21.5/24
Shape Size(W*D*H)mm	380*385*466	430*410*501	490*500*580

# Energy Saving Switch



# Door Plate



Hospitality Information  
COMPANY LIMITED



## ESS-20

- Size:86mm\*86mm
- Input: A/C 100v~150v or 180v~250v,40A
- Frequency:13.56MHz
- Power Control: insert guest's own room card or staff card to get power. Other room cards can not get power



## ESS-40

- Size:86mm\*86mm
- Input: A/C 100v~150v or 180v~250v,40A
- Frequency:13.56MHz
- Power Control: insert any 13.56Mhz card to get power



## ESS-70

- Size:86mm\*86mm
- Input: D/C 12v,120A, 3 phase out putwith controller box.
- Frequency:13.56MHz
- Power Control: insert guest's own room card to get full power or staff card to get distributed power (programmable)



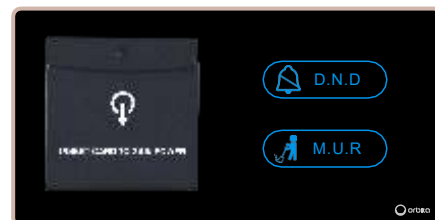
## ESS-100

- Size:86mm\*86mm
- Input: D/C 12v,120A, 1 phase out putwith controller box
- Frequency:13.56MHz
- Power Control: insert guest's own room card to get full power (programmable)



## ESS-41

- Size:86mm\*86mm
- Input: A/C 100v~150v or 180v~250v,40A
- Frequency:13.56MHz
- Power Control: insert any 13.56Mhz card to get power



## ESTD-01

- Size:86mm\*172mm
- Input: A/C 100v~150v or 180v~250v,40A
- Frequency:13.56MHz
- With DND, MUR touch Panel
- Power Control: insert any 13.56Mhz card to get power

## ORBITA Door Plate

- Personalized Hotel Logo
- Customizable design
- High grade display panel with backlit lighting



DS-258HR



DS-358HR



DS-202HS



DS-88HZ



DS-3410HS



DS-2412HS



DS-358

## Touch Screen Panel



DSB-21S



TSS-02



TSS-42S



DS-40



TSS-40

# Lift Reader



## Lift reader



MFR-311



MFR-03



MFR-04

## Intelligent Lift Controller



MFC-16

### Features

- Guest card activates authorized floor/floors
- Staff card activates all floors
- Contactless, show card to illuminate authorized lift button, no need pressing
- Fire or emergency protection
- Safe and hygienic

# Hotel Lock Accessories



### S50 Mifare Card

Customized design:

- Hotel logo, name, picture
- Hotel contact & address
- Lock operation instruction
- Advertisement



### MI-ECD20 Mifare Encoder

- Enhanced stainless steel body with enhanced anti-interference function
- USB port communication, driverfree
- Encrypted algorithm with illegal cards identification function
- Double confidentiality with logic control



### OBT-PP01 Wireless Portable Programmer

Helpful & Convenient

- Wireless
- Program locks
- Update clock
- Read & download opening records
- Open locks as master key

Dimension of External Panel: L182\*W68\*H40mm

Material: Black Plastic

Support type: Mifare Smart Door Locks

Working Frequency: 13.56MHZ

Reading distance: 3-10cm

Working Temperature: -20°C ~60°C



## References

- 20,000 projects
- 120 countries
- All major Hotel Management Group



## Hotel Telephone

Customized hotel logo and text, One touch direct dialing buttons



OBT-1016



OBT-1005



OBT-1009



OBT-1009B



OBT-8901



OBT-8902

## Bathroom Telephone

Wall mounted & waterproof



OBT-1011



OBT-1012





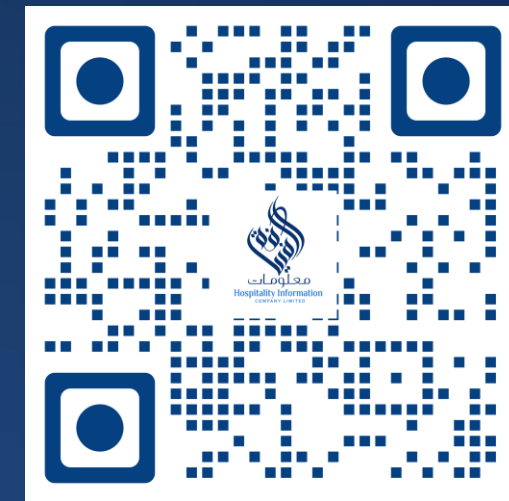
[www.orbitaksa.sa](http://www.orbitaksa.sa)

**Orbita KSA**



معلومات  
Hospitality Information  
COMPANY LIMITED

[www.aldiyafainfo.com](http://www.aldiyafainfo.com)



Info@aldiyafainfo.com  
+966550821757